

F1-D(WT)+RC1



3-Button WiFi & IR LED Dimmer

- WiFi & infrared remote control 1 channels constant voltage single color LED controller.
- 5A output, output connects with 5 meters single color LED strip.
- 3 buttons operation with on/off and dimming.
- Tuya APP cloud control, support on/off, brightness adjust, delay turn on/off light, timer run, scene edit function.
- Voice control, support for Amazon Alexa, Google Assistant, Tmall Genie and Xiaodu voice assistant.
- light on/off fade time 3s selectable.
- 4096 levels 0-100% dimming smoothly without any flash.



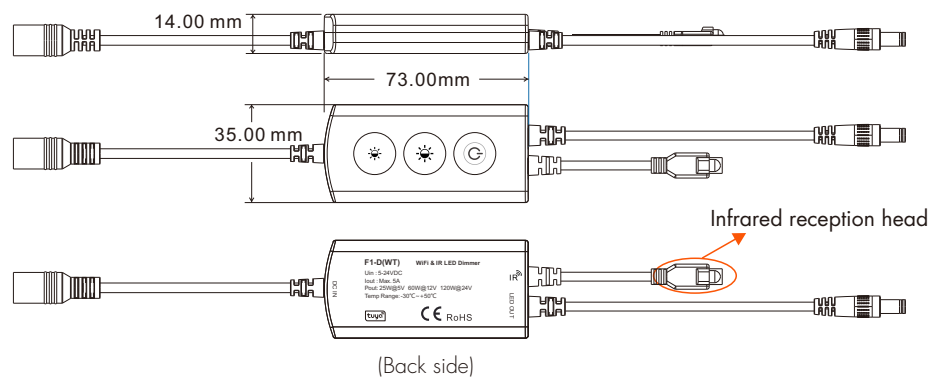
CE RoHS

Technical Parameters

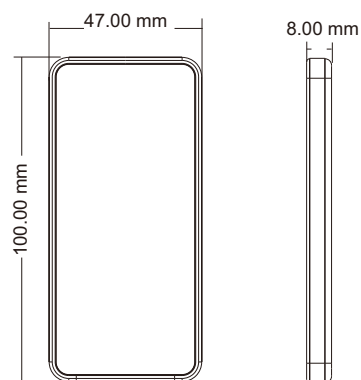
Input and Output		Dimming data		Safety and EMC	
Input voltage	5-24VDC	Input signal	Tuya APP + IR + 3 button	EMC standard (EMC)	ETSI EN 301 489-1 V2.2.3 ETSI EN 301 489-17 V3.2.4
Output voltage	5-24VDC	Control distance	10m(Barrier-free space)	Safety standard	EN 61348-1:2015+A1:2021 EN 61348-2-13:2014+A1:2017
Output current	Max. 5A	Dimming gray scale	4096 level	Certification	CE, EMC
Output power	25W@5V 60W@12V 120W@24V	Dimming range	0-100%	Package	
Environment		Dimming curve	Logarithmic	Size	L110 x W57 x H28mm
Operation temperature	Ta: -30°C ~ +50°C	PWM Frequency	2KHz (default)	Gross weight	0.086kg
Case temperature (Max.)	Tc: +85°C	Warranty	5 years		
		Protection	Over heat		

Mechanical Structures and Installations

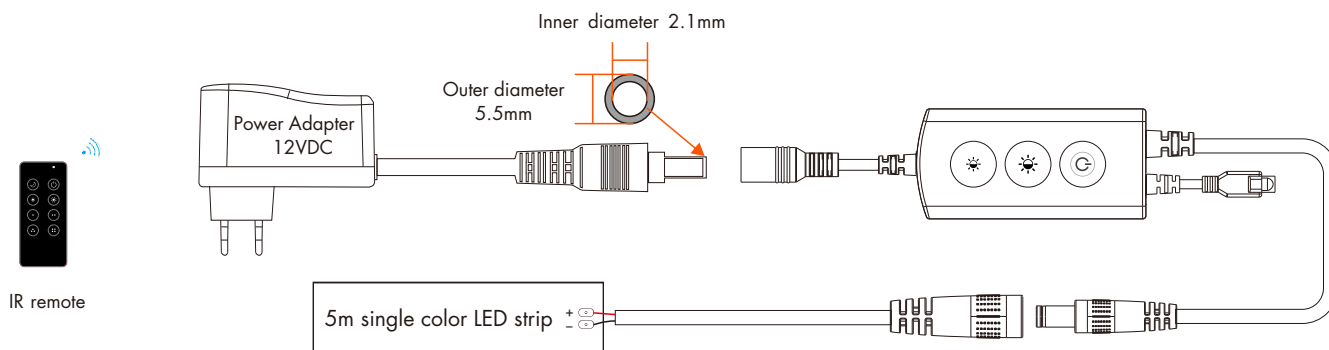
Controller size:



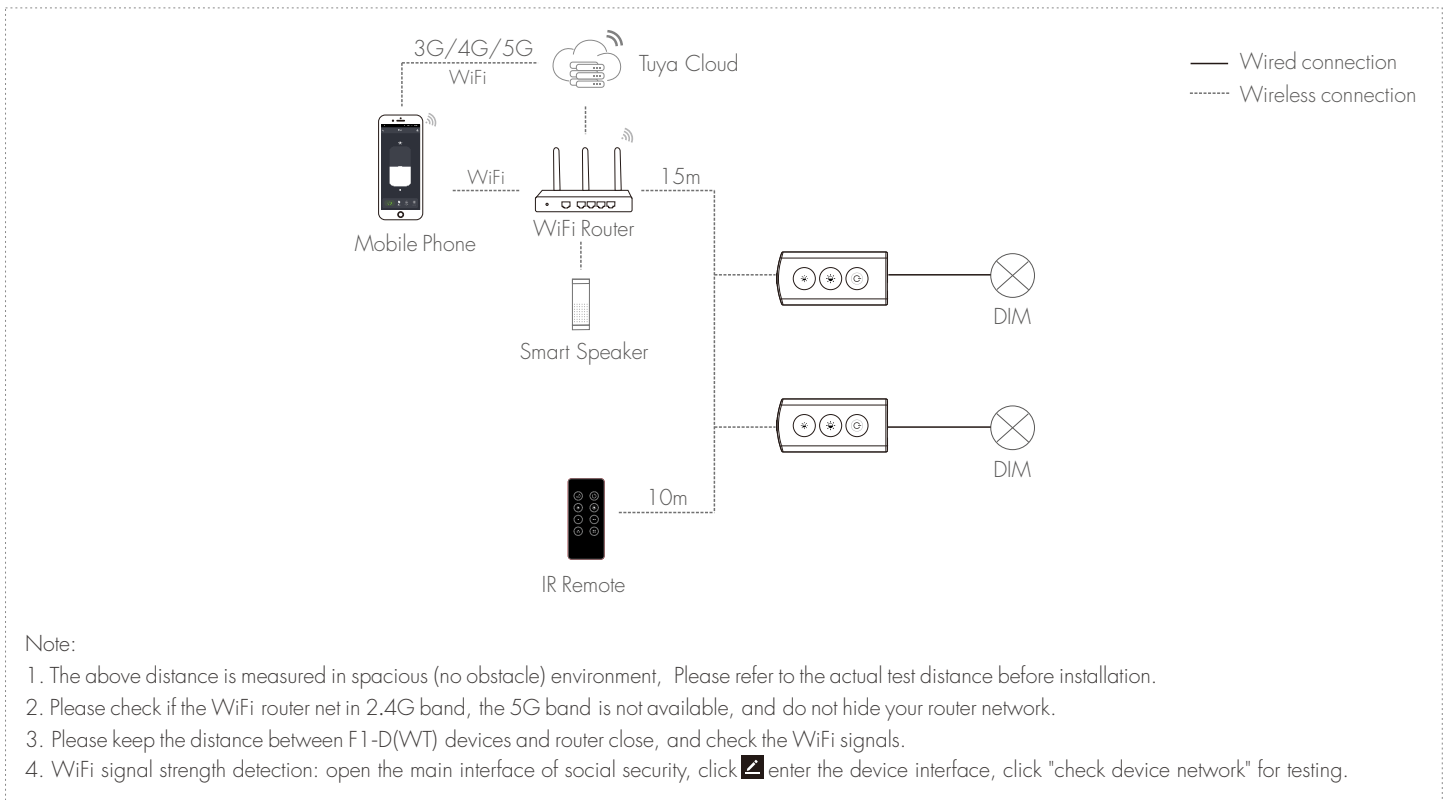
Remote size:



Wiring Diagram



System wiring



Button function



: Turn on or off light.



: Brightness +, short press 10 levels, long press 1-6s for continuous 256 levels adjustment.



: Brightness -, short press 10 levels, long press 1-6s for continuous 256 levels adjustment.

Note:

Press and hold the and (Brightness-) button for 2s, output LED flashes 3 times, the light on/off fade time will change between 3s and 0.5s.

Tuya APP network connection

Please download the corresponding tuya/smart life APP according to your region.

Press and hold and (Brightness+) button for 2s:
 clear previous network connection, enter Smart config mode, the output LED will flash 10 times.

Press and hold and (Brightness+) button for 5s:
 Clear previous network connection, enter AP config mode, the output LED will flash 5 times.
 If smart config failed, please try AP config.

Repeat power on and off for 5 consecutive times, also clear previous network connection,
 enter Smart config mode, the output LED will flash 10 times.

If Tuya APP network connection succeed, the output LED will stop flash,
 and in Tuya APP, you can find DIMc device .

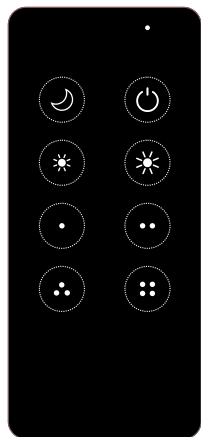







Smart life APP



Tuya Smart

Key function of IR remote

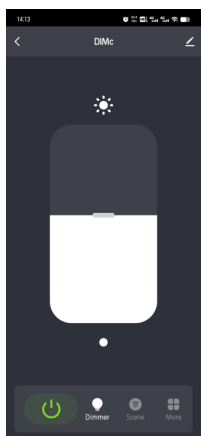


-  : Turn on/off the light.
-  : Night light, 10% brightness.
-  : Increase brightness, Short press 10 levels, long press 1-6s for continuous 256 levels adjustment.
-  : Decrease brightness, Short press 10 levels, long press 1-6s for continuous 256 levels adjustment.
-  : Short press to select the four brightness levels: 25%, 50%, 75%, 100%.

Notes:

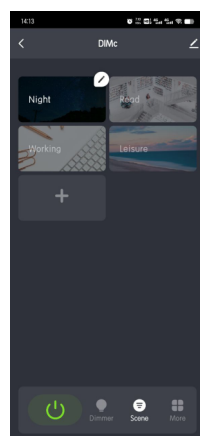
1. The IR remote control does not need to be paired and can be controlled directly.
2. When the remote control distance is far, the infrared remote control needs to be aimed at the infrared reception head of the dimmer.

Tuya APP interface



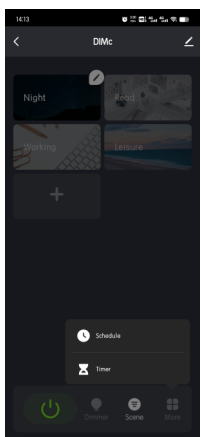
White interface

Touch brightness slide to adjust brightness.



Scene interface

The 1-4 scene is static color.
the inner color of these scene can be editable.



Timer, Schedule

The Schedule key can add multiple timers to turn on or turn off light according to different time periods.

The Timer key can turn on or turn off light in the next 24 hours.

Dimming curve

