

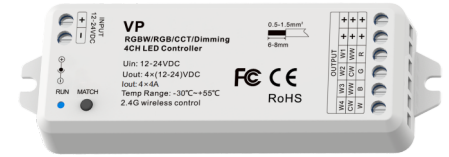
RGBW/RGB/CCT/Dimming 4 Channel LED RF Controller

Model No.: VP

4 Channels/DC power socket input/Step-less dimming/Wireless remote control/Auto-transmitting/Synchronize

Features

- DC power socket input and 4 channel constant voltage output.
- Match with RF 2.4G single zone or multiple zone single color, dual color and RGB/RGBW remote control.
- One RF controller accept up to 10 remote control.
- 4096 levels 0-100% dimming smoothly without any flash.
- When using with RGB/RGBW light, built in 10 dynamic mode, include jump or gradual change style.
- Auto-transmitting function: Controller automatically transmit signal to another controller with 30m control distance.
- Synchronize on multiple number of controllers.
- Light on/off fade time 3s selectable.

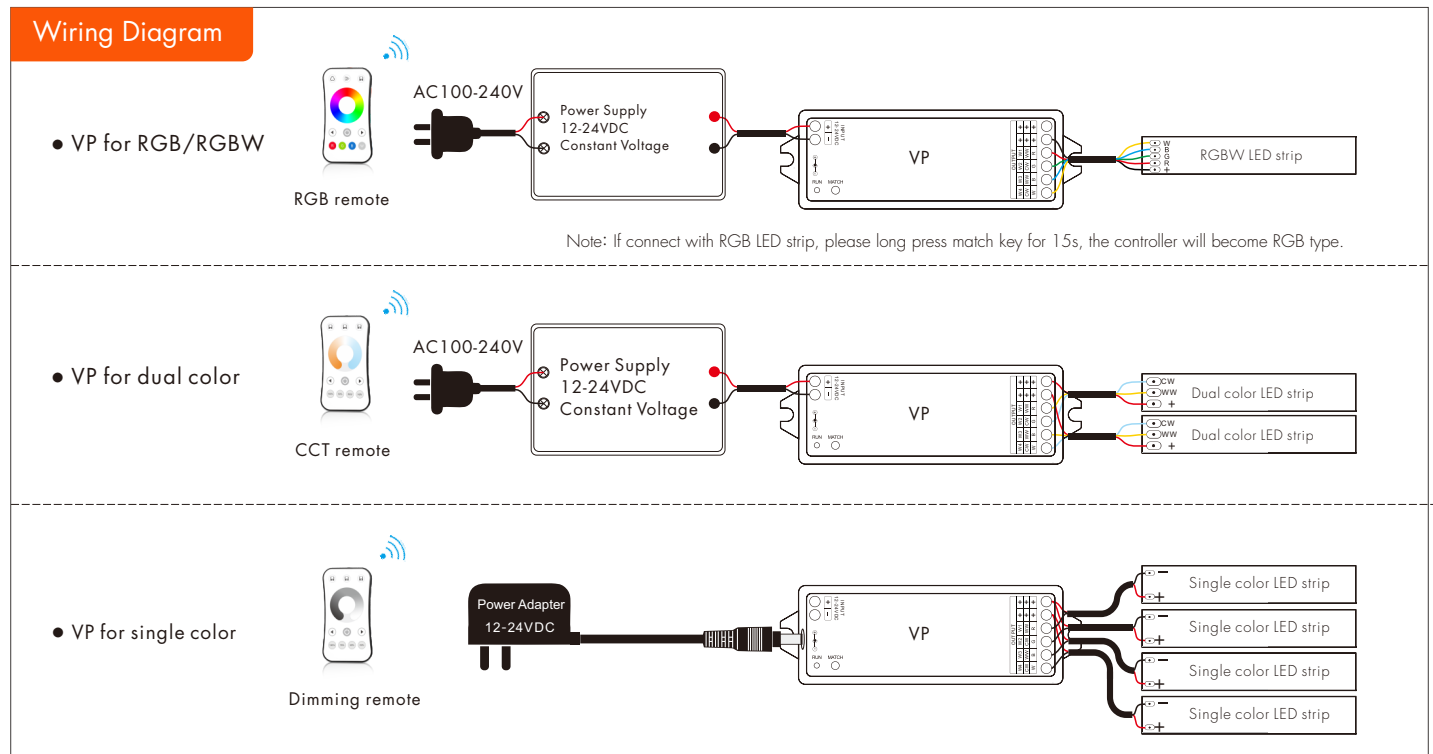
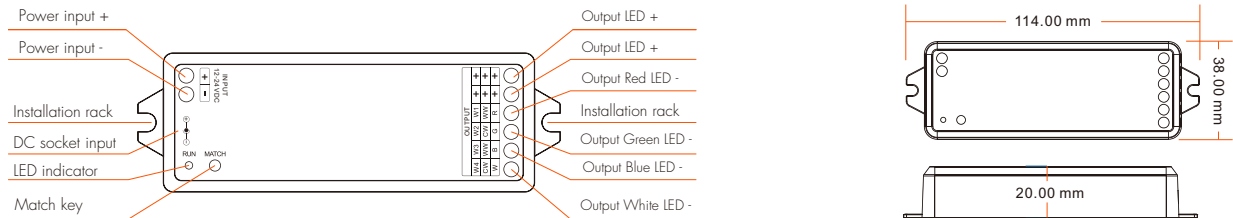


FCC CE RoHS EMC LVD RED

Technical Parameters

Input and Output		Dimming data		Safety and EMC	
Input voltage	12-24VDC	Input signal	RF 2.4GHz	EMC standard (EMC)	ETSI EN 301 489-1 V2.2.3 ETSI EN 301 489-17 V3.2.4
Input current	15.5A	Control distance	30m(Barrier-free space)	Safety standard(LVD)	EN 62368-1:2020+A11:2020
Output voltage	4 x (12-24)VDC	Dimming gray scale	4096 (2 ¹²) levels	Radio Equipment(RED)	ETSI EN 300 328 V2.2.2
Output current	4CH4A/CH,Max 6A	Dimming range	0 -100%	Certification	CE,EMC,LVD,RED
Output power	4 x (48-96)W	Dimming curve	Logarithmic	Warranty and Protection	
Output type	Constant voltage	PWM frequency	1000Hz (default)	Warranty	5 years
Package		Environment		Protection	Reverse polarity Short circuit
Size	L120 x W43 x H27mm	Operation temperature	Ta: -30°C ~ +55°C		
Gross weight	0.066kg	Case temperature (Max.)	Tc: +85°C		

Mechanical Structures and Installations



Note: User can connect constant voltage power supply or power adapter as power input.

Match Remote Control (two match ways)

End user can choose the suitable match/delete ways. Two options are offered for selection:

Use the controller's Match key

Match:

Short press match key, immediately press on/off key (single zone remote) or zone key (multiple zone remote) on the remote.

The LED indicator fast flash a few times means match is successful.

Delete:

Press and hold match key for 5s to delete all match, the LED indicator fast flash a few times means all matched remotes were deleted.

Use Power Restart

Match:

Switch off the power of the receiver, then switch on power.

Repeat again.

Immediately short press on/off key (single zone remote) or zone key (multiple one remote) 3 times on the remote.

The light blinks 3 times means match is successful.

Delete:

Switch off the power of the receiver, then switch on power.

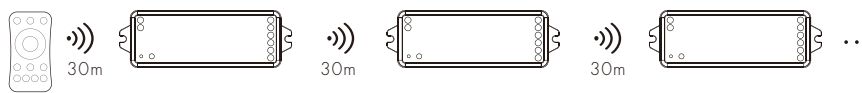
Repeat again.

Immediately short press on/off key (single zone remote) or zone key (multiple zone remote) 5 times on the remote.

The light blinks 5 times means all matched remotes were deleted.

Application notes

1. All the receivers in the same zone.



RF remote

Auto-transmitting: One receiver can transmit the signals from the remote to another receiver within 30m, as long as there is a receiver within 30m, the remote control distance can be extended.

Auto-synchronization: Multiple receivers within 30m distance can work synchronously when they are controlled by the same remote, under same dynamic mode and with same speed.

Receiver placement may offer up to 30m communication distance. Metals and other metal materials will reduce the range.

Strong signal sources such as WiFi routers and microwave ovens will affect the range.

We recommend for indoor applications that receiver placements should be no further apart than 1.5m.

2. Each receiver (one or more) in a different zone, like zone 1, 2, 3 or 4.



Light on/off fade time

Long press match key 5s, then short press match key 3 times, the light on/off time will be set to 3s, the indicator light blink 3 times.

Long press match key 10s, restore factory default parameter, the light on/off time also restore to 0.5s.

RGB/RGBW dynamic mode list

No.	Name	No.	Name
1	RGB jump	6	RGB fade in and out
2	RGB smooth	7	Red fade in and out
3	6 color jump	8	Green fade in and out
4	6 color smooth	9	Blue fade in and out
5	Yellow cyan purple smooth	10	White fade in and out

Dual color control

CH1, CH3=Warm white LED

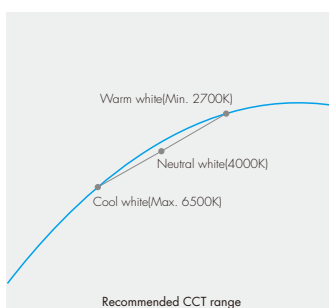
CH2, CH4=Cool white LED

Each channel can supply up to 96W(@24V) and white balance can be controlled as such:

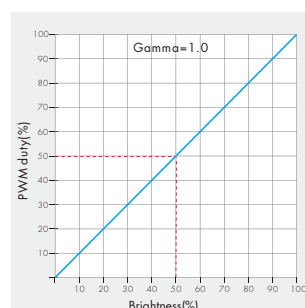
Color temperature	Cool white	Neutral white	Warm white
Power distribution	CH1=0W, CH2=96W CH3=0W, CH4=96W	CH1=48W, CH2=48W CH3=48W, CH4=48W	CH1=96W, CH2=0W CH3=96W, CH4=0W

Dimming curve

Linear dual color tuning



Dimming curve for CCT



Dimming curve for RGBW/RGB/DIM

