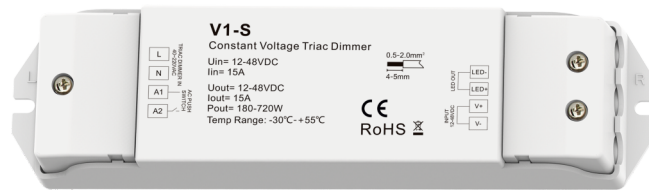


Constant Voltage Triac Dimmer

Model No.: V1-S

1 Channel/Constant voltage/Triac dimming/Logarithmic dimming curve/AC Push-Dim



FC CE RoHS LVD

Features

- Triac dimming, input AC40V-220V dimming signal.
- Apply to leading edge/trailing edge Triac dimmers and dimming system.
- One channel PWM constant voltage output, output current 1.5A max.
- PWM digital dimming, logarithmic dimming curve.
- Over current protection, short circuit protection, over temperature protection.
- Connect with external AC push switch to achieve on/off and dimming function.

Technical Parameters

Input and Output	
Input voltage	12-48VDC
Input current	1.5A
Output voltage	12-48VDC
Output current	1CH, 1.5A
Output power	180W/360W/540W/720W (12V/24V/36V/48V)
Output type	Constant voltage

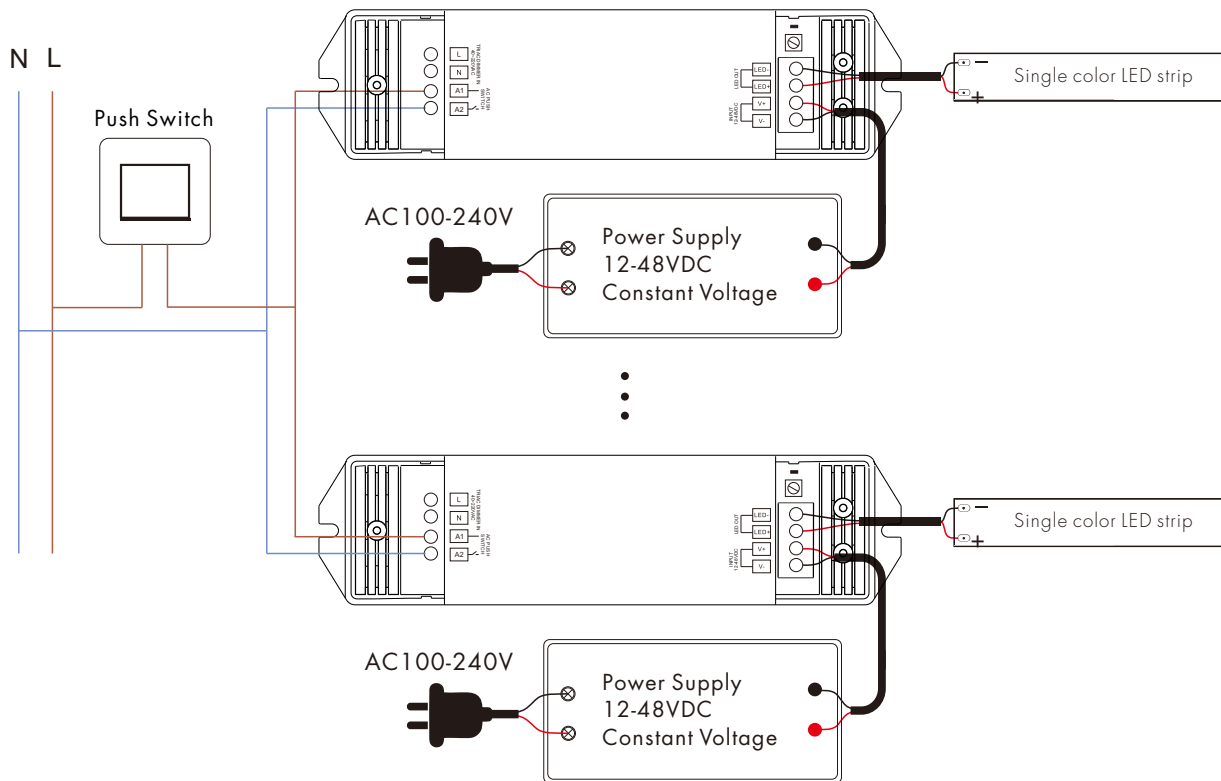
Dimming data	
Input signal	40-220VAC + AC Push-Dim
Dimming range	0-100%
Dimming curve	Logarithmic
PWM Frequency	500Hz

Safety and EMC	
EMC standard (EMC)	EN301 489, EN 62479
Safety standard(LVD)	EN60950
Certification	CE, EMC, LVD

Environment	
Operation temperature	T _a : -30°C ~ +55°C
Case temperature (Max.)	T _c : +85°C
IP rating	IP20

Warranty and Protection	
Warranty	5 years
Protection	Reverse polarity Over current Short circuit Over temperature

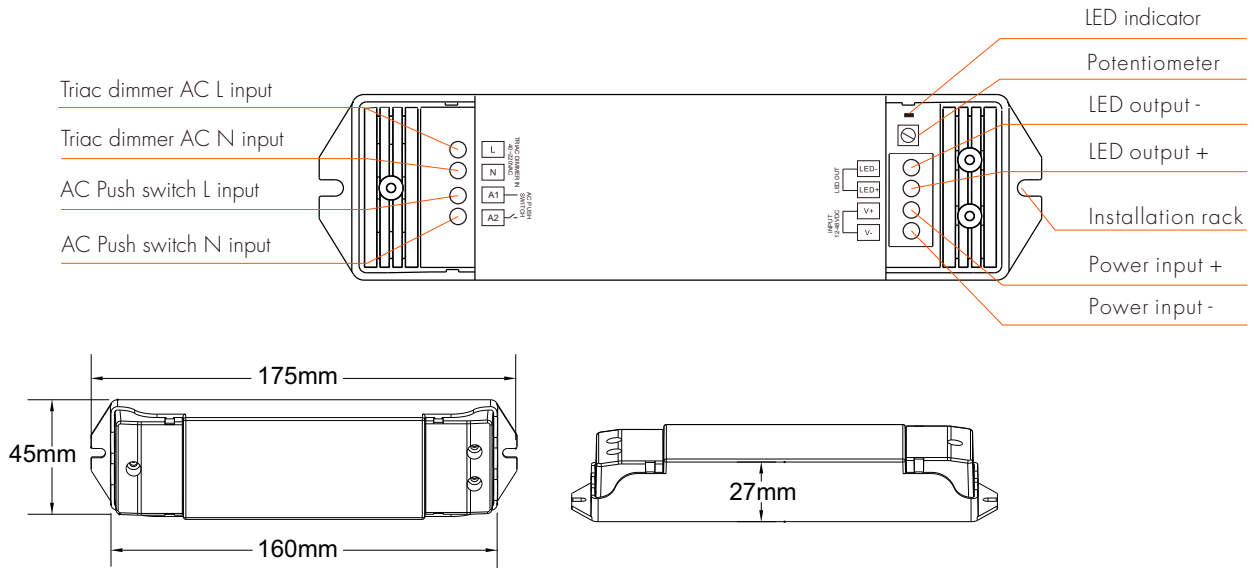
- Connect with AC push switch



Triac Dimming Input

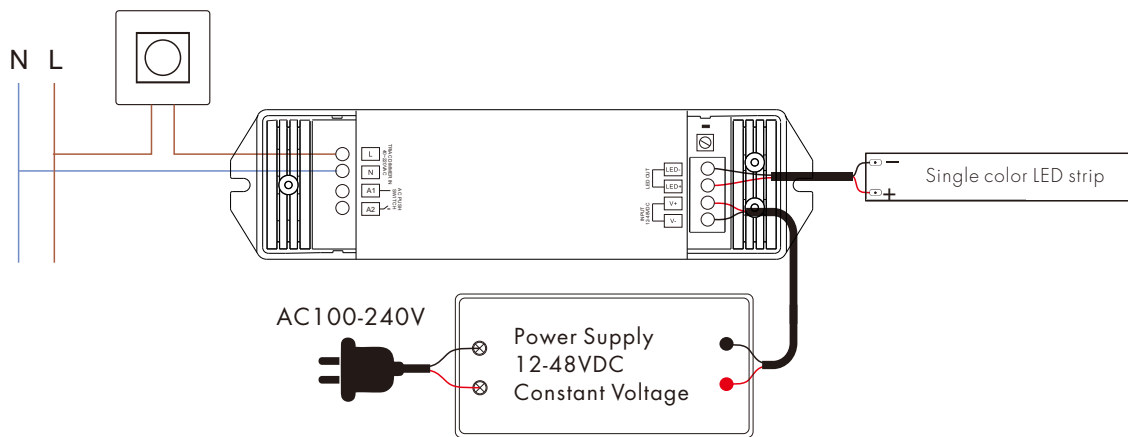
- AC40V-220V dimming signal input can get 0%-100% brightness output, and the brightness is proportional to the input dimming signal. If the brightness can not go to 0% or 100%, please check the input voltage whether can get to the lowest or highest voltage.
- While connected with a Triac dimmer, such as Lutrom, Clipsal, Dynalite dimmer, different Triac dimmers from different suppliers may have different minimum dimming levels which the driver can not be dimmed below. To dim to 1%, please make sure the dimmer supports 1% minimum dimming level.
- The product adopt analog method detect dimming signal input, adjust brightness consistency between different Triac dimmer through potentiometer.
- The Triac dimmer or Push switch can be connected at the same time, which makes the product more user-friendly and more options to fit for some extra-ordinary demands.
- If the product be used with the Push-Dim interface prior to using the Triac interface, the Triac dimming signal should change over 10% to return Triac control.

Mechanical Structures and Installations

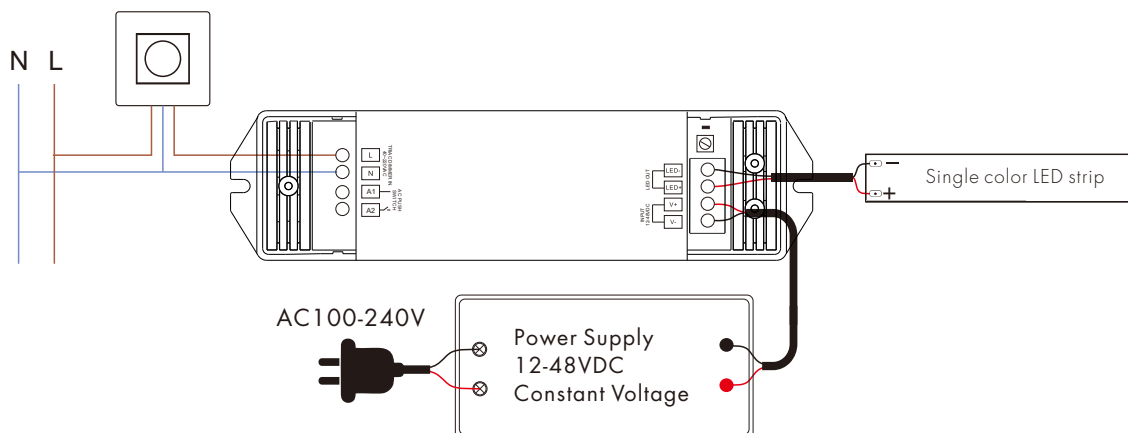


Wiring Diagram

1. Connect Triac dimmer(no Neutral wire)



2. Connect Triac dimmer(with Neutral wire)



AC Push-Dim Function

The provided Push-Dim interface allows for a simple dimming method using commercially available non-latching (momentary) wall switches.

- **Short press:**

Turn on or off light.

- **Long press (1-6s):**

Press and hold to step-less dimming,

With every other long press, the light level goes to the opposite direction.

- **Dimming memory:**

Light returns to the previous dimming level when switched off and on again, even at power failure.

- **Synchronization:**

If more than one controller are connected to the same push switch, do a long press for more than 10s, then the system is synchronized and all lights in the group dim up to 100%.

This means there is no need for any additional synchrony wire in larger installations.

We recommend the number of controllers connected to a push switch does not exceed 25 pieces,

The maximum length of the wires from push to controller should be no more than 20 meters.

Dimming curve

