

# Triac Rotary Panel Dimmer

Model No.: BQ-TTDDIM

Rotary dimming/Trailing edge/Min brightness setting

## Features

- Rotary panel AC phase-cut dimmer, 1 channel output.
- To dim and switch single color dimmable LED lamps, traditional incandescent and halogen lights.
- Rotate knob to change brightness, support push and with memory function.
- Min brightness set by Min knob.



## Technical Parameters

CE RoHS EMC LVD

Input and Output	
Input voltage	AC200-240V
Output voltage	AC200-240V
Output current	Max 1.25A
Output power	5-300W

Environment	
Operation temperature	Ta: -30°C ~ +55°C
Case temperature (Max.)	Tc: +85°C
IP rating	IP20

Weight	
Net weight	0.085kg
Gross weight	0.098kg

Dimming data	
Input signal	Rotary knob
Dimming range	0-100%

Safety and EMC	
EMC standard (EMC)	EN 55015:2013
	EN 61547:2009
	EN 61000-3-2:2014
	EN 61000-3-3:2013

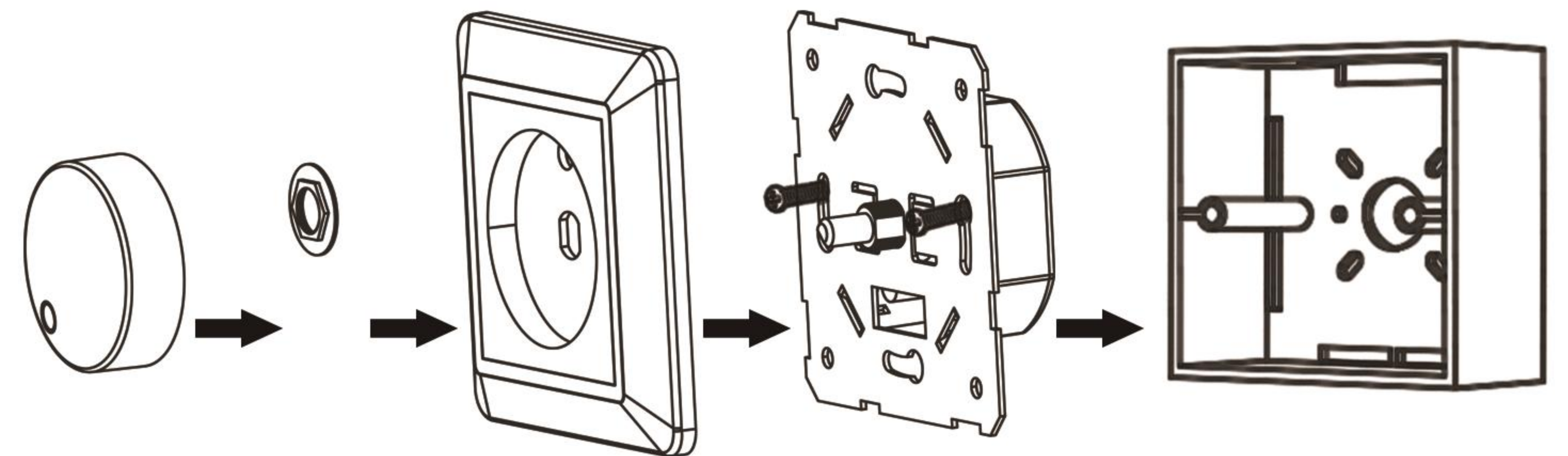
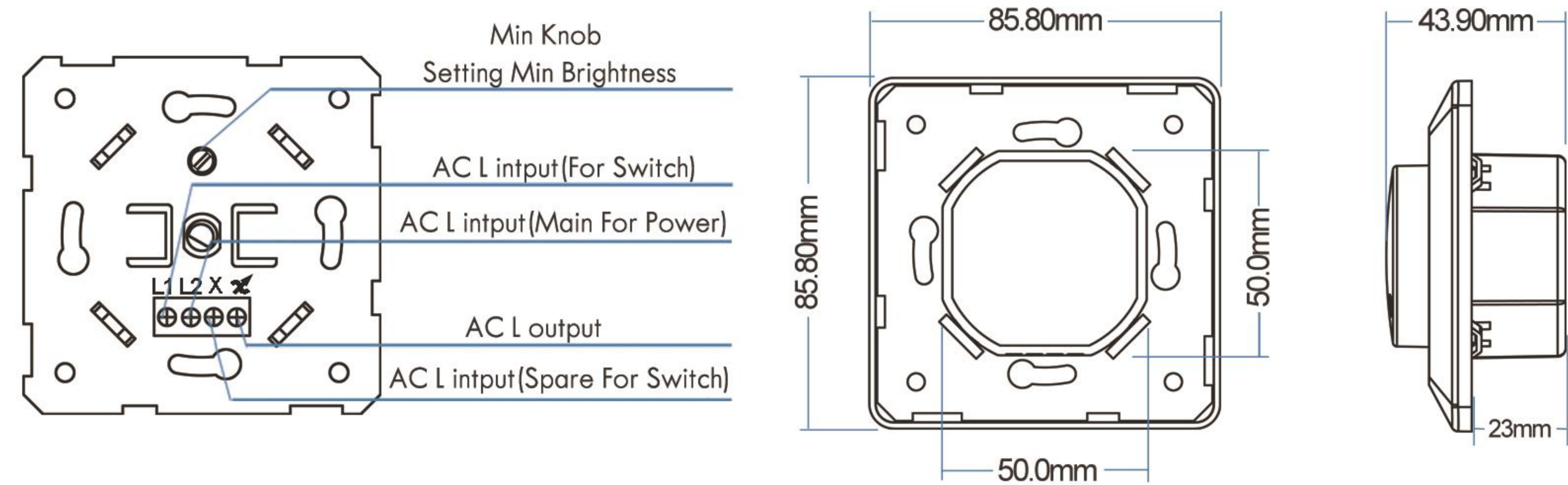
Safety standard (LVD)	EN 61347-2-11:2002
	EN 61347-1:2015
	EN 62493:2015
Certification	CE, EMC, LVD

Warranty	
Warranty	5 years

## Compatible Load Types

Load Type	Maximum Load	Remarks
Dimmable LED lamps	250W @ 220V	Due to variety of LED lamp designs, maximum number of LED lamps is further dependent on power factor result when connected to dimmer.
Triac Dimmable LED drivers	250W @ 220V	Maximum permitted number of drivers is 250W divided by driver nameplate power rating, and make sure the surge current is no more than 2 times 65A.
Incandescent lighting, HV Halogen lamps	400W @ 220V	

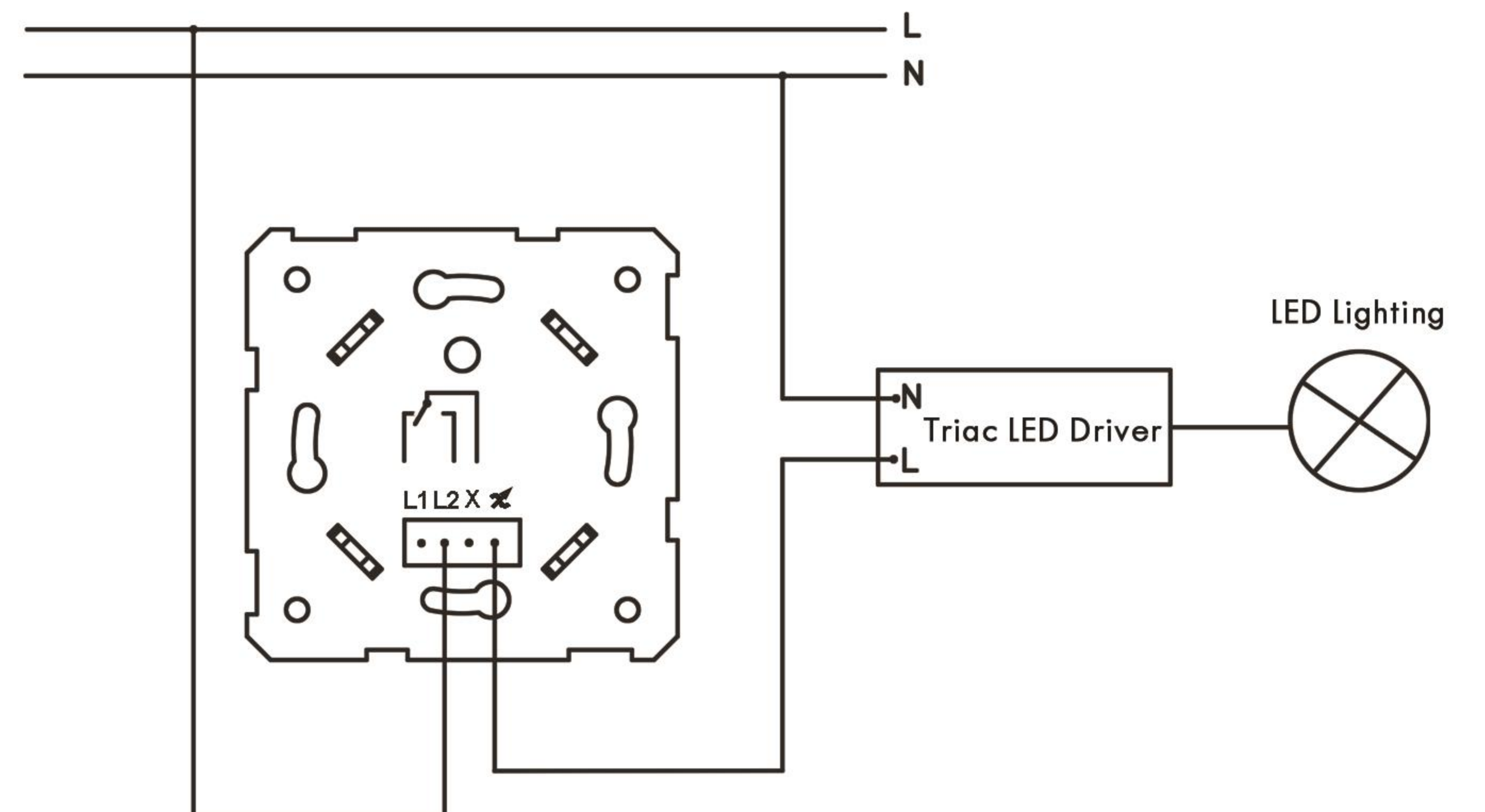
## Mechanical Structures and Installations



## Wiring diagram

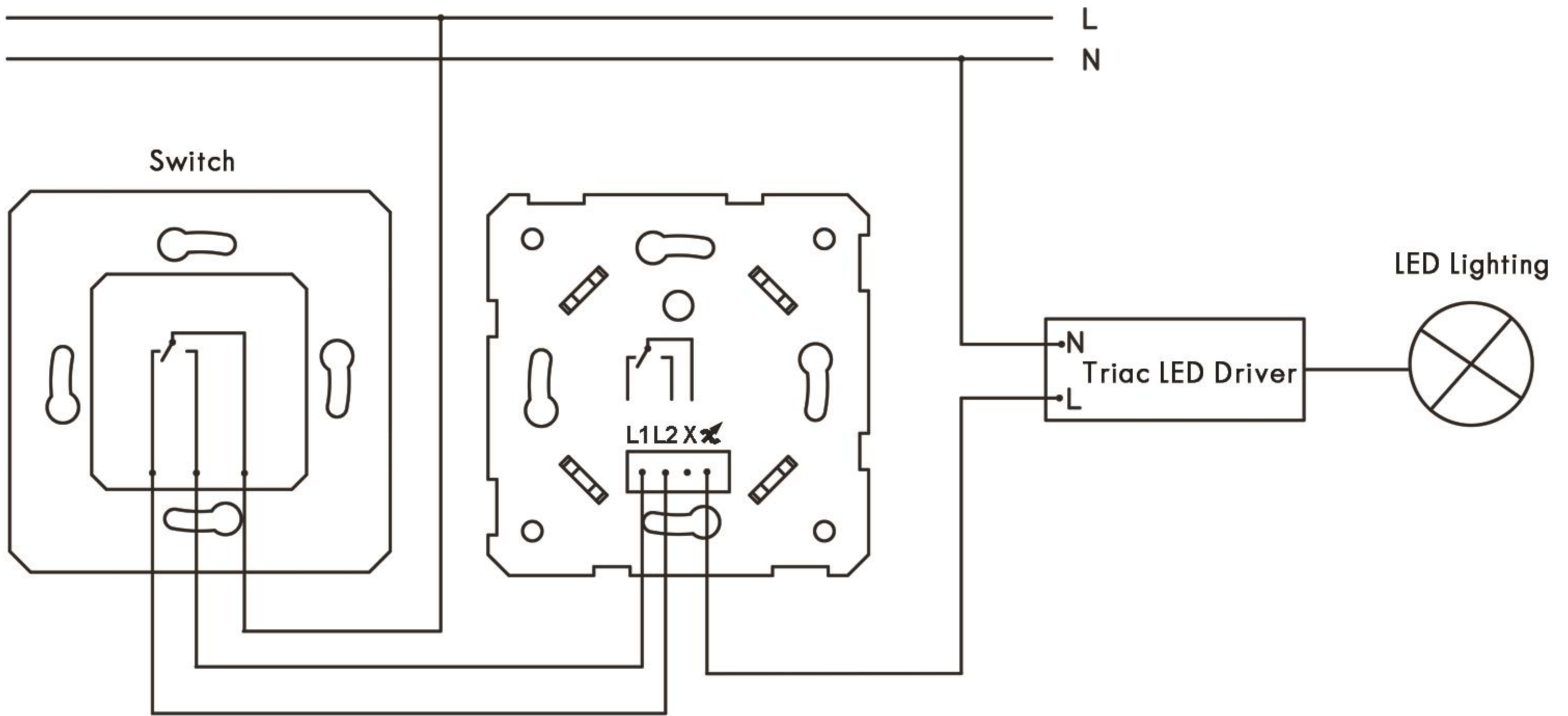
**Caution:** Please carefully ensure all wire connections and polarities are correct and secure before applying power, otherwise this controller will be damaged.

- BQ-TTDDIM connect with dimmable LED driver

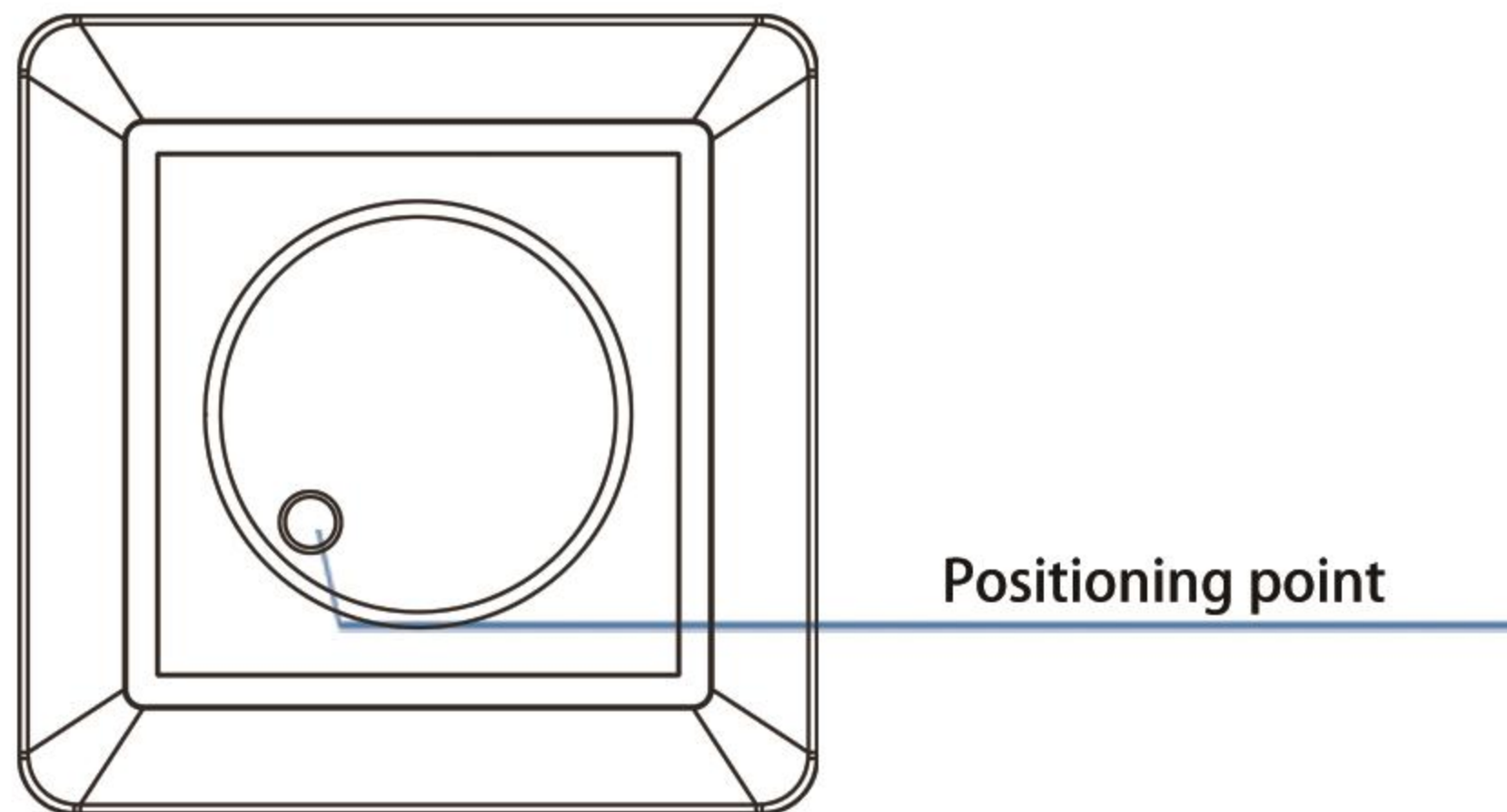




- BQ-TTDDIM connect with switch and dimmable LED driver



**Note:** When calculating the maximum number of load lamps or drivers, the input power or input current parameters of a single lamp or driver must be used, the output power parameters can not be used. In addition, the maximum surge current of the dimmer is 65A, the sum of surge current of multiple dimmable LED drivers should not exceed 2 times. Otherwise, the product will be overloaded and damaged.



## Knob Function

- Push: Turn on or off light.
- After turn on light:
- Rotate: Rotate knob to adjust brightness.
  - Rotate knob clockwise, the brightness goes up,
  - Rotate knob counterclockwise, the brightness goes down.

## Malfunctions analysis & troubleshooting

Malfunctions	Causes	Troubleshooting
No light	1. No power. 2. Wrong connection or insecure.	1. Check the power. 2. Check the connection.