

# Wall Mounted Touch Panel

## Model No.: TD1-S, TD2-S, TD3-S, TD4-S, TD5-S

1 Zone/1-5 color/Glass touch panel/Color slide/Powered by DALI bus or 24VDC/Encoding switch select addresses



CE RoHS LVD

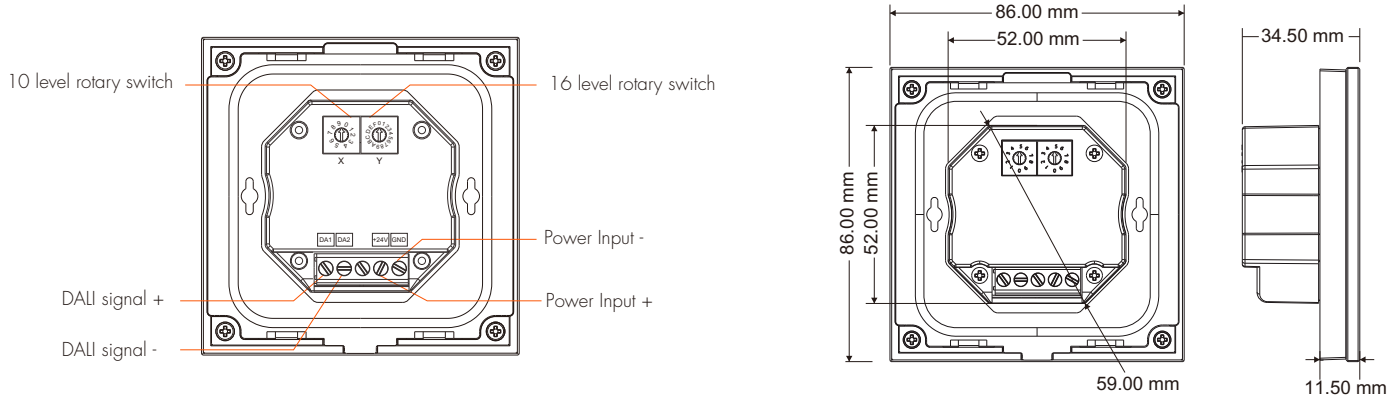
### Features

- Touch panel 1 zone 1-5 color DALI master.
- 1 DALI address, support DT6 dimming, DT8-TC color temperature, DT8-RGB or DT8-RGBW.
- In accordance with DALI standard protocol IEC 62386-102, IEC 62386-207, IEC 62386-209 and in compliance with DALI products from other international incorporation.
- Powered by DALI bus or 24VDC.
- Enable to select DALI address by encoding switch, support unicast, group and broadcast mode.
- Match with RF 2.4G single zone or multiple zone remote control optional.
- Ultra sensitive high strength glass touch panel with touch color slide.
- Smooth and accurate color adjustment by touching the color slide.
- Touch keys with LED indicator.
- White & Black glass panel available.

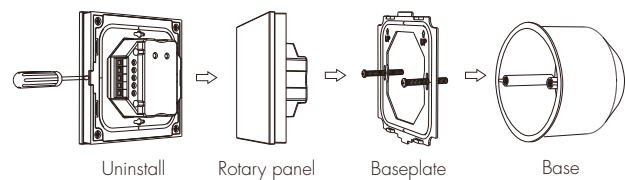
### Technical Parameters

Input and Output		Dimming data		Safety and EMC	
Power supply	DALI bus/24VDC	Input signal	Touch key + RF 2.4GHz	EMC standard (EMC)	ETSI EN 301 489-1 V2.2.3 ETSI EN 301 489-17 V3.2.4
Static current	17mA@16VDC, 2mA@24VDC	RF Control distance	10m(Barrier-free space)	Safety standard(LVD)	EN 62368-1:2020+A11:2020
Output signal	DALI	Dimming level	256 levels	Radio Equipment(RED)	ETSI EN 300 328 V2.2.2
Environment		Package		Certification	CE,EMC,LVD,RED
Operation temperature	Ta: -30°C ~ +55°C	Size	L112 x W112 x H50mm	Warranty	
Case temperature (Max.)	Tc: +65°C	Gross weight	0.230kg	Warranty	5 years
IP rating	IP20				

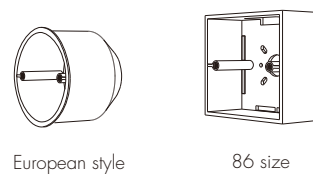
### Mechanical Structures and Installations



Installation diagram:

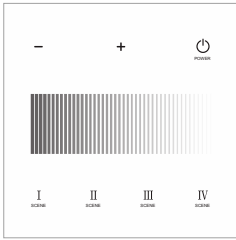


Typical base as below:



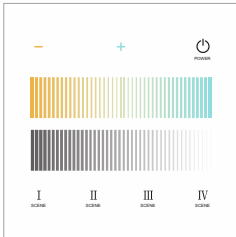
## Key function

### TD1-S Single color panel



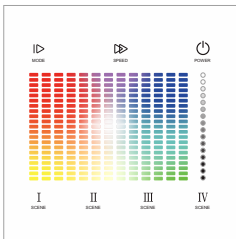
- Turn on/off light.
- Increase brightness, 10 level.
- Decrease brightness, 10 level.
- Brightness slide.
- Short press recall the scene, long press 5s save current brightness into scene 1/2/3/4.

### TD2-S Dual color panel



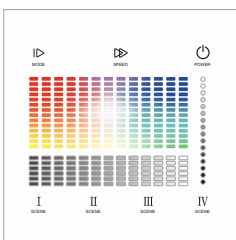
- Turn on/off light.
- Increase color temperature, 10 levels.
- Decrease color temperature, 10 levels.
- Color temperature slide.
- Brightness slide.
- Short press recall the scene, long press 5s save current color into scene 1/2/3/4.

### TD3-S RGB panel



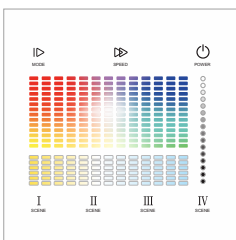
- Turn on/off light.
- Short press play 10 built-in dynamic mode, long press 2s run mode-cycle.
- Adjust dynamic mode speed, 10 levels.
- Color slide.
- Brightness slide.
- Short press recall the scene, long press 5s save current color into scene 1/2/3/4.

### TD4-S RGBW panel



- Turn on/off light.
- Short press play 10 built-in dynamic mode, long press 2s run mode-cycle.
- Adjust dynamic mode speed, 10 levels.
- Color slide.
- W channel brightness slide.
- Brightness slide.
- Short press recall the scene, long press 5s save current color into scene 1/2/3/4.

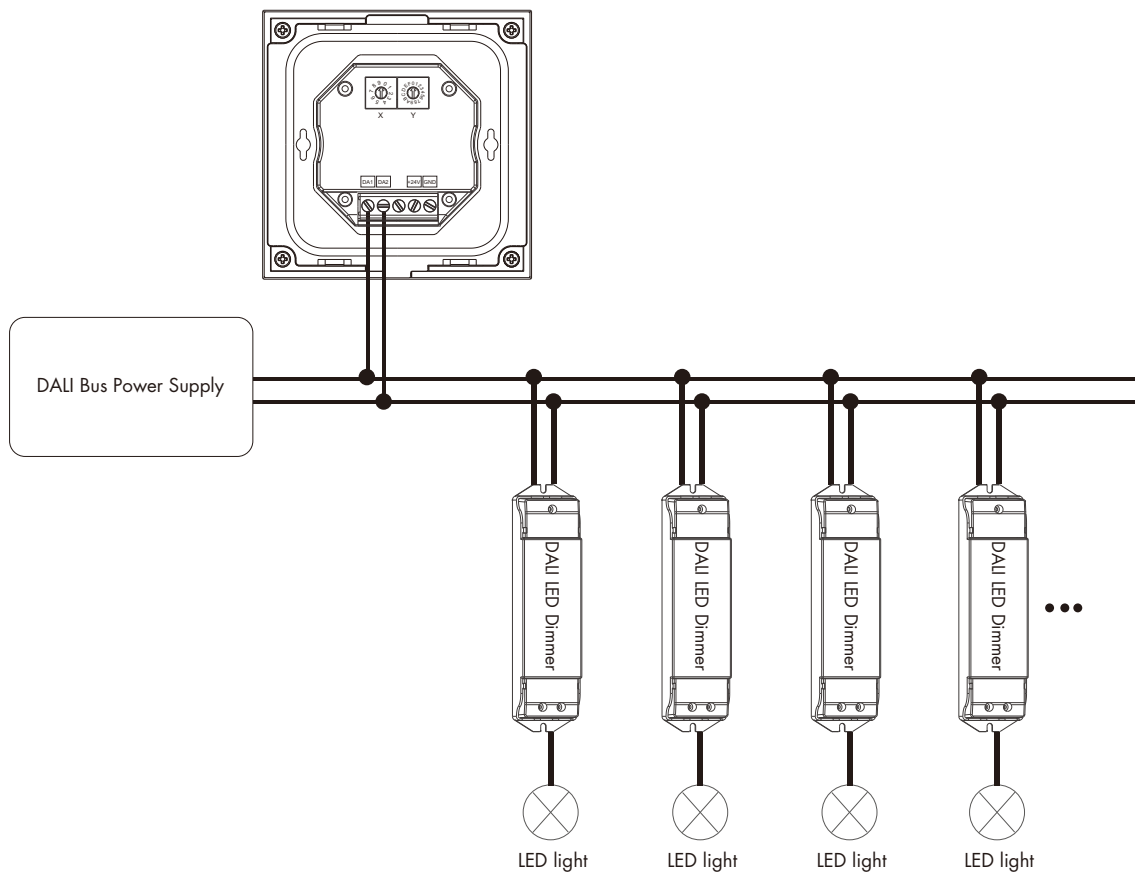
### TD5-S RGB+CCT panel



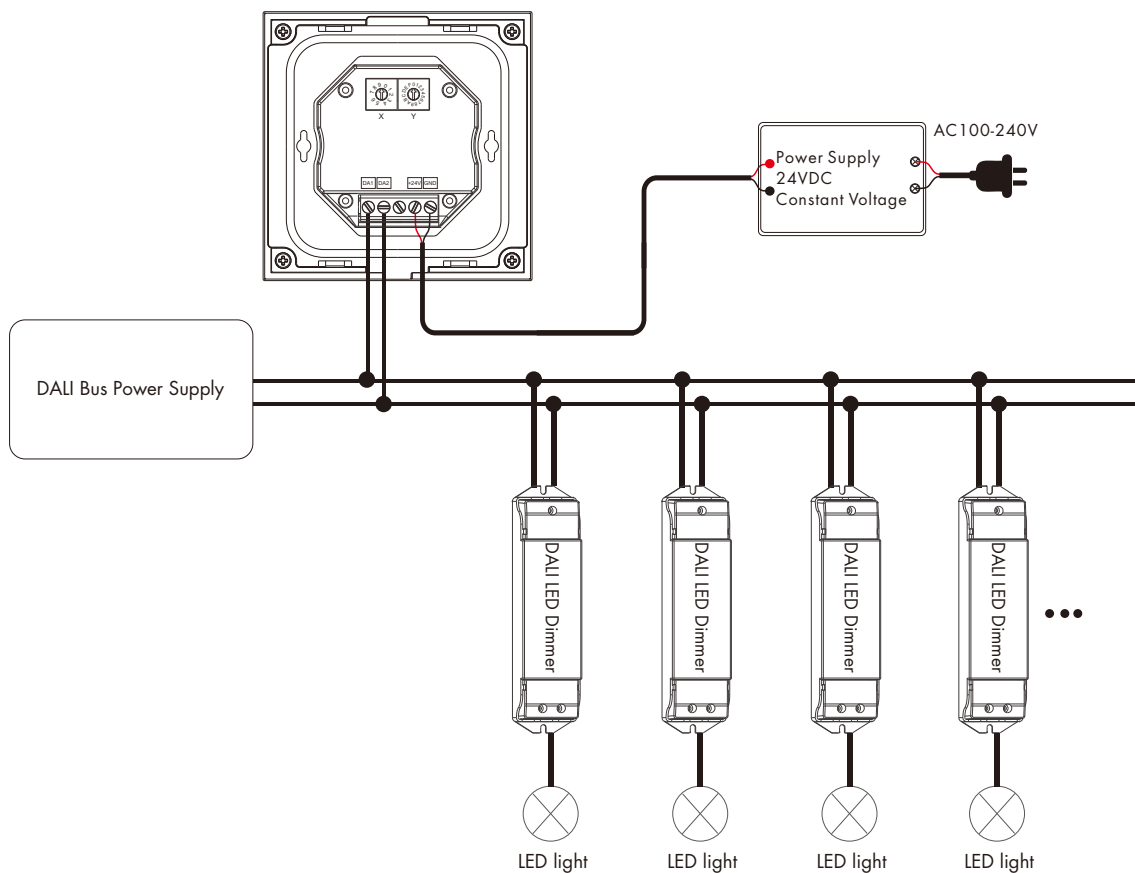
- Turn on/off light.
- Short press play 10 built-in dynamic mode, long press 2s run mode-cycle.
- Adjust dynamic mode speed, 10 levels.
- Color slide.
- Color temperature slide.
- Brightness slide.
- Short press recall the scene, long press 5s save current color into scene 1/2/3/4.

## Wiring Diagram

### 1. Powered by DALI bus



### 2. Powered by 24VDC



Note: It is recommended to use a 24VDC power supply for the touch panel DALI master to reduce the load on the DALI bus power supply.

## Touch Panel DALI master match RF remote

Touch panel DALI master can also match with RF 2.4G remote (Optional).

End user can choose the suitable match/delete ways. Two options are offered for selection:

### Use On/Off key

Match:

Turn on light, turn off, immediately press the On/Off key of the panel for 5s, then press any On/Off key of the RF remote within 5s.

The LED indicator fast flash 3 times means match is successful.

Delete:

Turn on light, turn off, immediately press the On/Off key of the panel for 10s to delete all match,

The LED indicator fast flash 6 times means all matched remotes were deleted.

### Use Power Restart

Match:

Switch off the power of the panel, then switch on power, repeat again.

Immediately short press On/Off key 3 times on the remote.

The LED indicator fast flash 3 times means match is successful.

Delete:

Switch off the power of the panel, then switch on power, repeat again.

Immediately short press On/Off key 5 times on the remote.

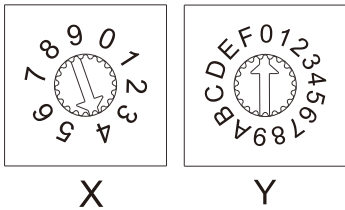
The LED indicator fast flash 6 times means all matched remotes were deleted.

## DALI address setting

Address value = X \* 10 + Y.

For example: X = 5, Y = 4, Address value = 5 x 10 + 4 = 54.

### Unicast mode



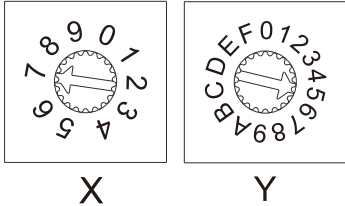
X is 0-6, Y is 0-9.

Address value 0-63 correspond to DALI unicast address 00-63.

For example:

Address value = 40, the unicast address value is 40.

### Group mode



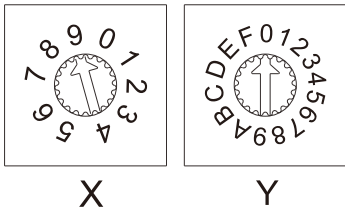
X is 7, Y is 0-F.

Address value 70-7F correspond to DALI group address 0-15.

For example:

Address value = 5, the group address value is 5.

### Broadcast mode



X is 9, Y is 0-F.

Address value 90 - 9F correspond to broadcast address.

## RGB/RGBW dynamic mode list (only for TD3-S / TD4-S)

No.	Name	No.	Name
1	RGB jump	6	RGB fade in and out
2	RGB smooth	7	Red fade in and out
3	6 color jump	8	Green fade in and out
4	6 color smooth	9	Blue fade in and out
5	Yellow cyan purple smooth	10	White fade in and out

## RGB+CCT dynamic mode list (only for TD5-S)

No.	Name	No.	Name
1	RGB jump	6	RGB fade in and out
2	RGB smooth	7	Red fade in and out
3	6 color jump	8	Green fade in and out
4	6 color smooth	9	Blue fade in and out
5	Color temperature smooth	10	White fade in and out