

## 2 Channel 0/1-10V LED Dimming Driver

Model No.: LV2

0/1-10V CCT dimming/2 channel/PWM Constant voltage output/Logarithmic dimming



CE RoHS EMC LVD

### Features

- 2 channel 0/1-10V LED dimming driver, 2 channel PWM constant voltage output.
- For dual color control, the two 0/1-10V input can be set as warm white and cool white respectively, or one for brightness adjust and the other for color temperature adjust.
- 0~100% dimming range via logarithmic characteristic can be very comfortable for human eyes.
- Compatible with active or passive 0-10V, 1-10V dimmer, can solve the fluorescent lamp dimming system compatible with LED lighting.

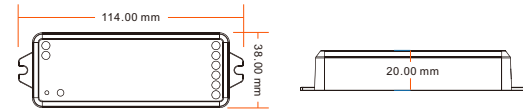
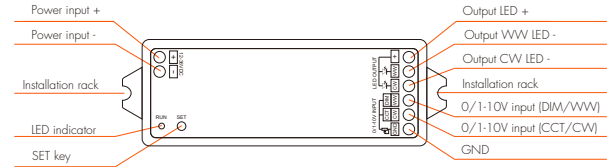
### Technical Parameters

Input and Output	
Input voltage	12-36VDC
Input current	10.5A
Output voltage	12-36VDC
Output current	2CH, 5A/CH
Output power	2 x (60-180)W
Output type	Constant voltage
Environment	
Operation temperature	Ta: -30°C ~ +55°C
Case temperature (Max.)	Tc: +85°C
IP rating	IP20
Warranty and Protection	
Warranty	5 years
Protection	Reverse Polarity

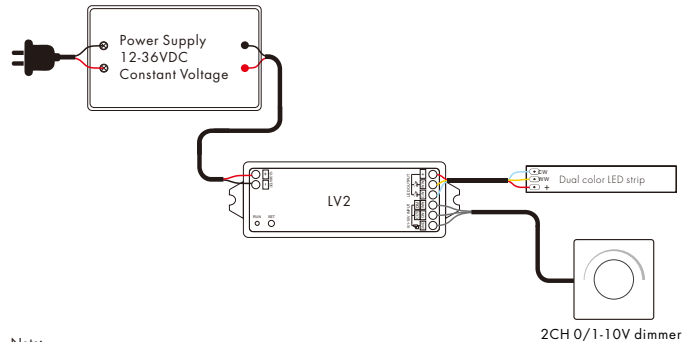
Safety and EMC	
EMC standard (EMC)	ETSI EN 301 489-1 V2.2.3 ETSI EN 301 489-17 V3.2.4
Safety standard (LVD)	EN 62368-1:2020+A11:2020
Certification	CE, EMC, LVD

Dimming data	
Input signal	0/1-10V
Dimming range	0-100%
Dimming curve	Logarithmic
PWM Frequency	2KHz

### Mechanical Structures and Installations



### Wiring Diagram



Note:

- The 0/1-10V input is operable via commercially available simple rotary wall switches designed for 0/1-10V dimming equipment or from dedicated system central dimming controllers.
- Compliant with 0-10V, 1-10V, 10V PWM, RX (4 in 1).
- We recommend the number of LED drivers connected to 0/1-10V dimmer does not exceed 50 pieces. The maximum length of the wires from dimmer to LED driver should be no more than 50 meters.

## Key function

Press the "SET" key to switch two dimming mode.

- Set DIM+CCT dimming mode :

Press and hold the "SET" key for 2s, the "RUN" indicator will flash once.

Set DIM dimming input for brightness adjust, CCT dimming input for color temperature adjust (factory setting).

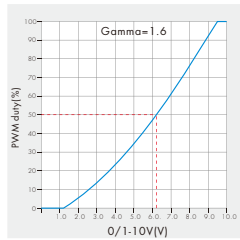
- Set WWV+CW dimming mode:

Press and hold the "SET" key for 5s, the "RUN" indicator will flash twice.

Set WWV dimming input for WW LED channel brightness adjust, CW dimming input for CW channel brightness adjust.

## Dimming Curve

0/1-10V dimming



0/1-10V CCT

