

DMX512 Wireless Transmitter and Receiver

Model No.: DM-WT / DM-WR

RF 2.4GHz/Automatic jumping frequency/7 groups ID code/Max. 400 meters



DM-WR
DMX512 wireless receiver



DM-WT
DMX512 wireless transmitter

DMX512 wireless receiver/transmitter transmits standard DMX512 protocol data(generated by console) by wireless way. No time delay when signal data is transmitting, signal data is real time and reliably. This product adopts a 2.4G ISM frequency section. High effect GFSK modulate communication design, jumping frequency automatically, high anti-jamming ability.

Features

- DM-WT: DMX512 2.4G wireless transmitter, XLR3 male connector.
- DM-WR: DMX512 2.4G wireless receiver, XLR3 female connector.
- 126 channels jumping frequency automatically, high anti-jamming ability, to ensure works reliability.
- 7 groups ID code selectable, user can use 7 groups individual wireless net without any interfere.
- Each other in the same place. (Tricolor LED displaying indicators)
- Input voltage: 5 VDC 500mA
- Communication distance: 400 meters (visible distance)
- Work frequency section: 2.4G ISM, 126 channels frequency section.
- Max transmitting power rate: 20dBm.
- For indoor use only.

Mechanical Structures and Installations



Operation

ID code and LED color corresponding relationship:

1: Red 2: Green 3: Red+Green(Yellow) 4: Blue
5: Red+Blue(Purple) 6: Green+Blue(Cyan) 7: Red+Green+Blue(White)

1. Press momentary switch above the side led indicator to indicate ID setting.
2. Press again ID key, to the color ID desired, adding 1 each time you press the switch will change the color ID code.
3. Working condition:
LED constant light up with different ID color: No DMX or wireless signal.
Red LED flash: Transmitting DMX signal.
Green LED flash: Receiving DMX signal.
4. RF frequency 2.4G ISM, it's searching automatically.
5. ID Code "1-7" groups ID code of transmitter and receiver. (Same LED Color).

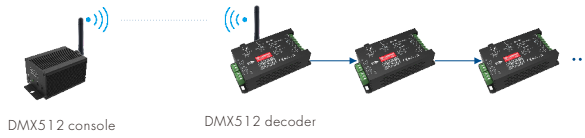
Establishing Communication:

1. Power on DMX512 wireless receiver first and then following to power up the transmitter.
2. Press "key" button to set same ID value of transmitter and receiver.
Please use different ID value if you need use more than 1 group wireless universals at same time in same place.
3. The red LED flashes when transmitter transmits DMX data by no interfered frequency section, then receiver changes communicated frequency section, green LED flash till received corrected same ID value. LED flash more fast once DMX data more fast.
4. Communication was established correctly.
Please note some DMX fixtures need to be placed into slave mode for proper DMX control. If in the master mode they will send a DMX signal out the XLR jacks causing the auto scan transmitter/receivers to go into a transmitter mode due to the DMX signal being present.

Application diagram

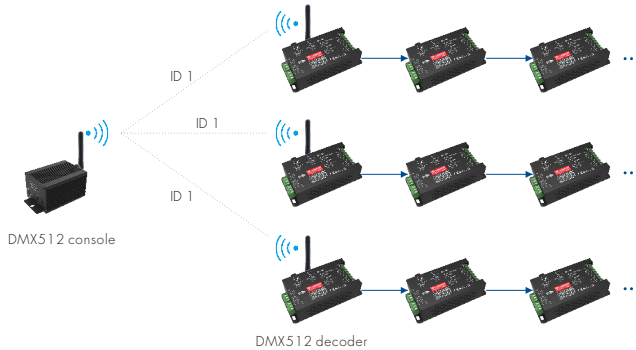
1. One transmitter, one receiver

Transmitter and receiver set same ID value.



2. One transmitter, multiple receiver

Transmitter and multiple receiver set same ID value.



3. Relay way to extend communication distance

Each transmitter and receiver pair set same ID value.

