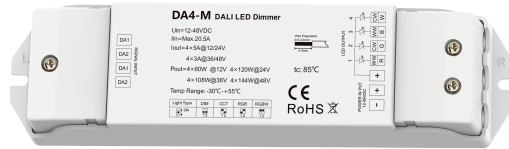


4 Channel Constant Voltage DALI LED Dimmer

Model No.: DA4-M

1 Address/4 Channel/DT8/Constant voltage/PWM dimming



CE RoHS

Features

- 4 channel constant voltage DALI LED Dimmer.
- 1 DALI address, DT6 dimming or DT8-TC color temperature or DT8-RGB or DT8-RGBW selectable.
- In accordance with DALI standard protocol IEC 62386-102, IEC 62386-207, IEC 62386-209 and in compliance with DALI products from other international incorporation.
- DALI address will be automatically assigned by DALI master.
- PWM digital dimming, standard DALI logarithmic dimming curve.
- Overload / Short circuit protection, recover automatically.

Technical Parameters

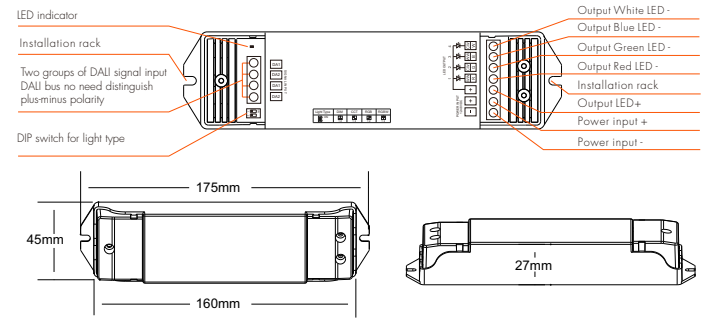
Input and Output	
Input voltage	12-48VDC
Input current	20.5A
Output voltage	12-48VDC
Output current	4x5A@12/24V 4x3A@36/48V
Output power	4 x 60W @12V 4x120W@24V 4 x 108W@36V 4x144W@48V
Output type	Constant voltage

Warranty and Protection	
Warranty	5 years
Protection	Reverse polarity Over-load Short circuit

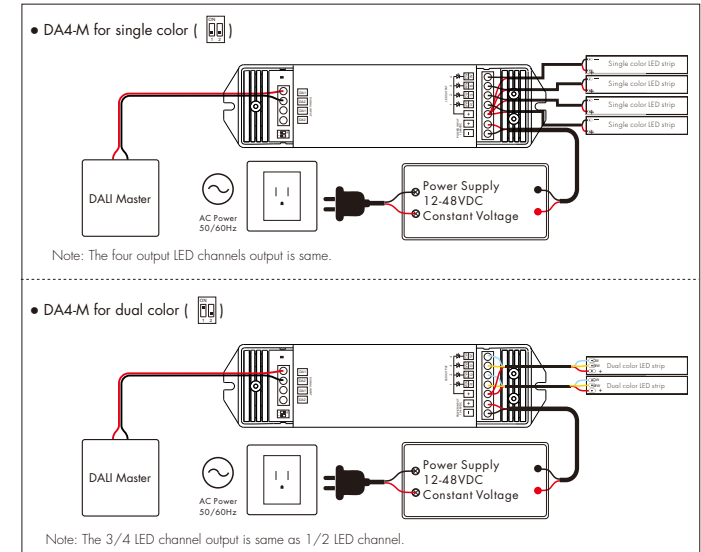
Dimming data	
Input signal	DALI
Dimming range	0-100%
Dimming curve	Logarithmic
PWM Frequency	2000Hz (default)


Environment	
Operation temperature	Ta: -30°C ~ +55°C
Case temperature (Max.)	Tc: +85°C
IP rating	IP20

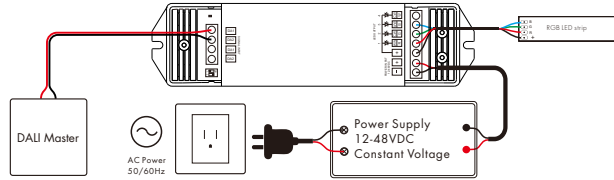
Mechanical Structures and Installations



Wiring Diagram

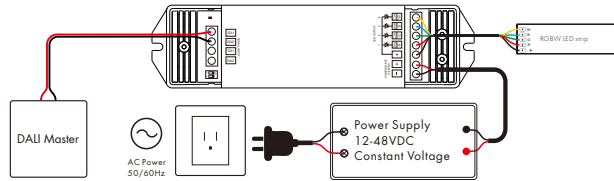


- DA4-M for RGB ()



Note: The 4th LED channel no output.

- DA4-M for RGBW ()



DALI control

This product is designed with 1 DALI address input and 4 channel output, DALI address is assigned by DALI Master controller automatically, please refer to user manuals of compatible DALI Masters for specific operations.

Safety & Warnings

- DO NOT install with power applied to device.
- DO NOT expose the device to moisture.