

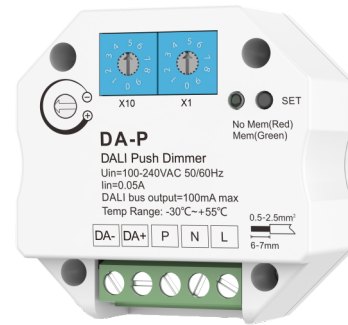
DALI Push Dimmer

Model No.: DA-P

Push Dim/Address programmability/Dim speed adjustable/Memory function

Features

- Small Dimmer for DALI Drivers or Ballasts.
- Unidirectional and broadcasting communication.
- Control by conventional push-button, with or without memory:
Short press: turn on /off light.
Long press: dimming up/down.
- Dimming speed adjustable by rotary knob.
- Can be used as a DALI bus power supply to provide power.

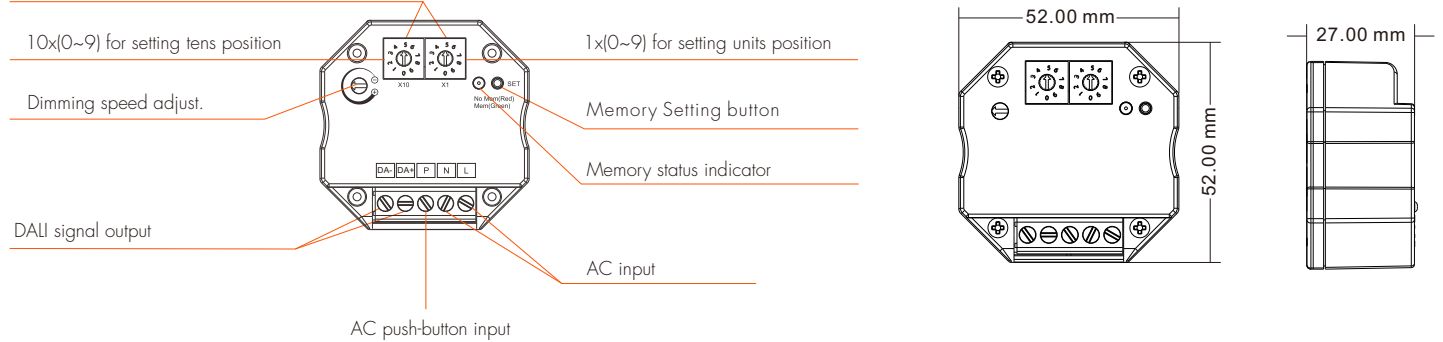


Technical Parameters

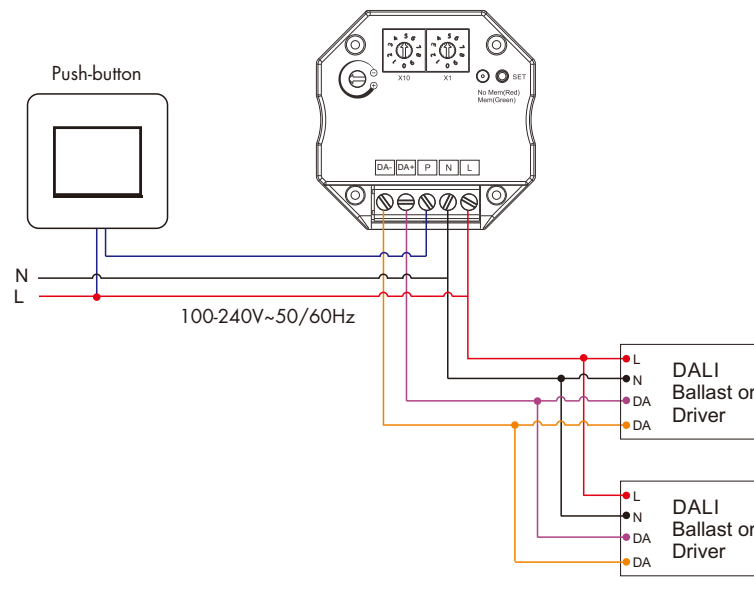
| Input and Output | | Environment | | Package | |
|-------------------------|------------|-------------------------|---------------------|-----------------|------------------|
| Input voltage | 100-240VAC | Operation temperature | Ta: -30 °C ~ +55 °C | Size | l60x W60 x H40mm |
| Input Signal | Push | Case temperature (Max.) | Ta: +75 °C | Gross weight | 0.061kg |
| DALI bus Voltage output | 16VDC | IP rating | IP20 | Warranty | |
| DALI bus Current output | 100mA max | | | Warranty | 5 years |

Mechanical Structures and Installations

Rotary switches for setting DALI address, the number equals to tens position plus units position



Wiring Diagram



⚠ Caution:

Please carefully ensure all wire connections and polarities are correct and secure before applying power, otherwise this controller will be damaged.

DALI address setting

1. Address value = Left rotary switch value \times 10 + right rotary switch value.
For example : Left rotary switch value is 5, right rotary switch value is 4, Address value = $5 \times 10 + 4 = 54$.
2. Unicast mode : Address value 0-63 corresponds to DALI addresses 00-63.
Group mode : Address values 70-85 correspond to DALI groupings 0-15.
Broadcast mode : Left rotary switch value is 9.

PUSH dimming speed setting

1. The closer the arrow is to "+", the faster the PUSH dimming speed will be.
2. The closer the arrow is to "-", the slower the PUSH dimming speed will be.

Memory function setting

Short press the "SET" button to switch the memory function.

1. Without memory: LED indicator is red, PUSH dimming and then power on again, light returns to maximum brightness.
2. With memory: LED indicator is green, PUSH dimming and then power on again, light restores the last brightness.

Factory default: Without memory.

Push-button function

- **Short press:**
Turn on / off light.
- **Long press :**
Dimming up/down

Safety & Warnings

- DO NOT install with power applied to device.
- DO NOT expose the device to moisture.