

# 0-10V Rotary Panel Dimmer

Model No.: BQ-PTDIM

Rotary dimming/AC switch output



## Features

- Rotary panel 0-10V dimmer, 1 channel output.
- Output 1 channel 0-10V signal, connect with 0/1-10V dimmable driver.
- High voltage AC input, High voltage AC switch output.
- Rotate knob to change brightness.

CE RoHS emc LVD

## Technical Parameters

Input and Output	
Input voltage	AC85-265V
Output voltage	AC85-265V
Output signal	0-10V (20mA)
Output current	Max 3.0A (AC)

Safety and EMC	
EMC standard (EMC)	EN 55015:2013 EN 61547:2009 EN 61000-3-2:2014 EN 61000-3-3:2013
Safety standard (LVD)	EN 61347-2-11:2002 EN 61347-1:2015 EN 62493:2015
Certification	CE, EMC, LVD

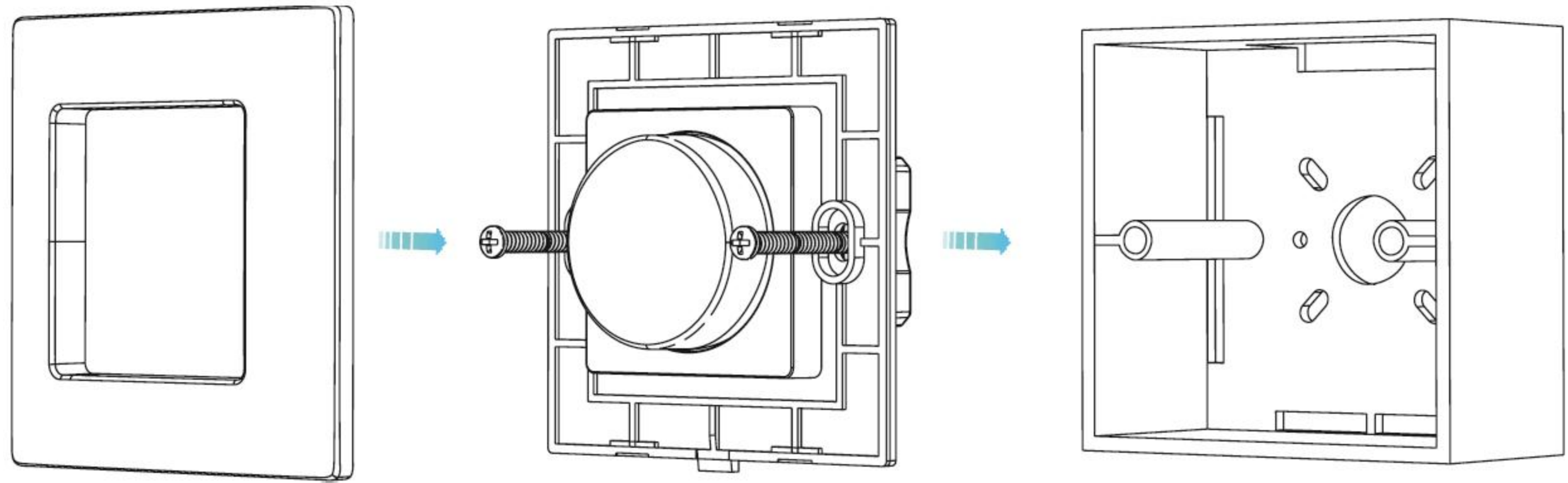
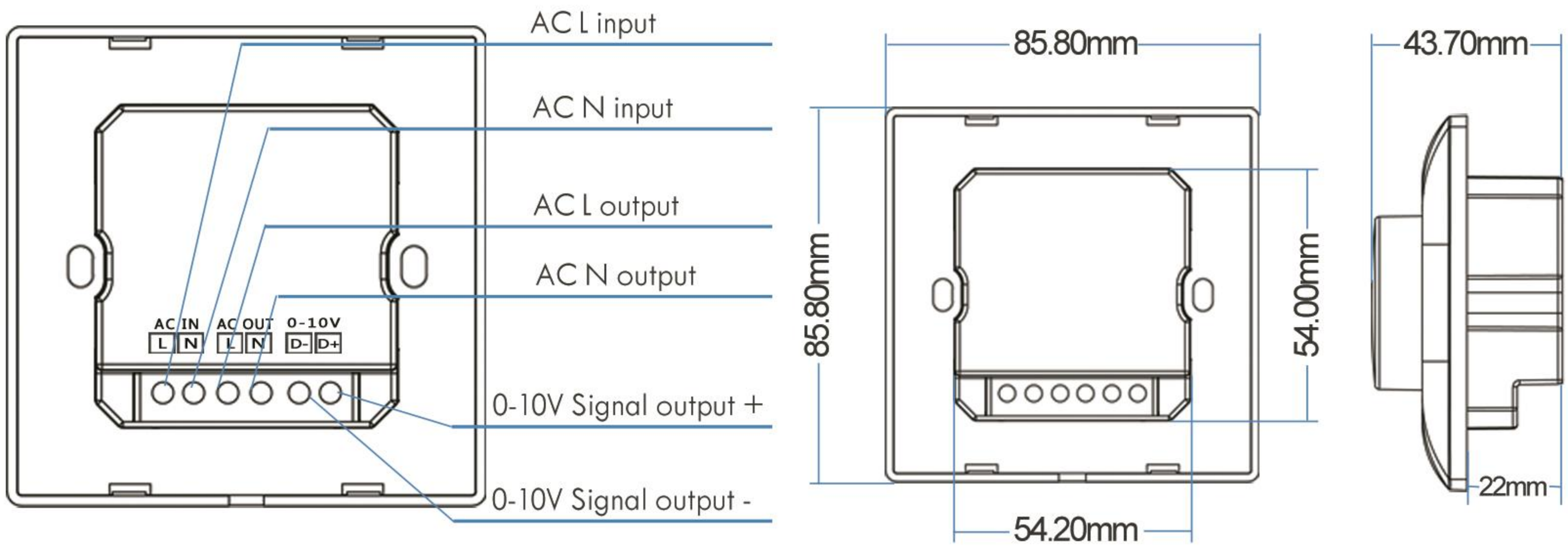
Warranty	
Warranty	5 years

Dimming data	
Input signal	Rotary knob
Dimming range	0-100%

Environment	
Operation temperature	Ta: -30°C~+55°C
Case temperature(Max.)	Tc: +65°C
IP rating	IP20

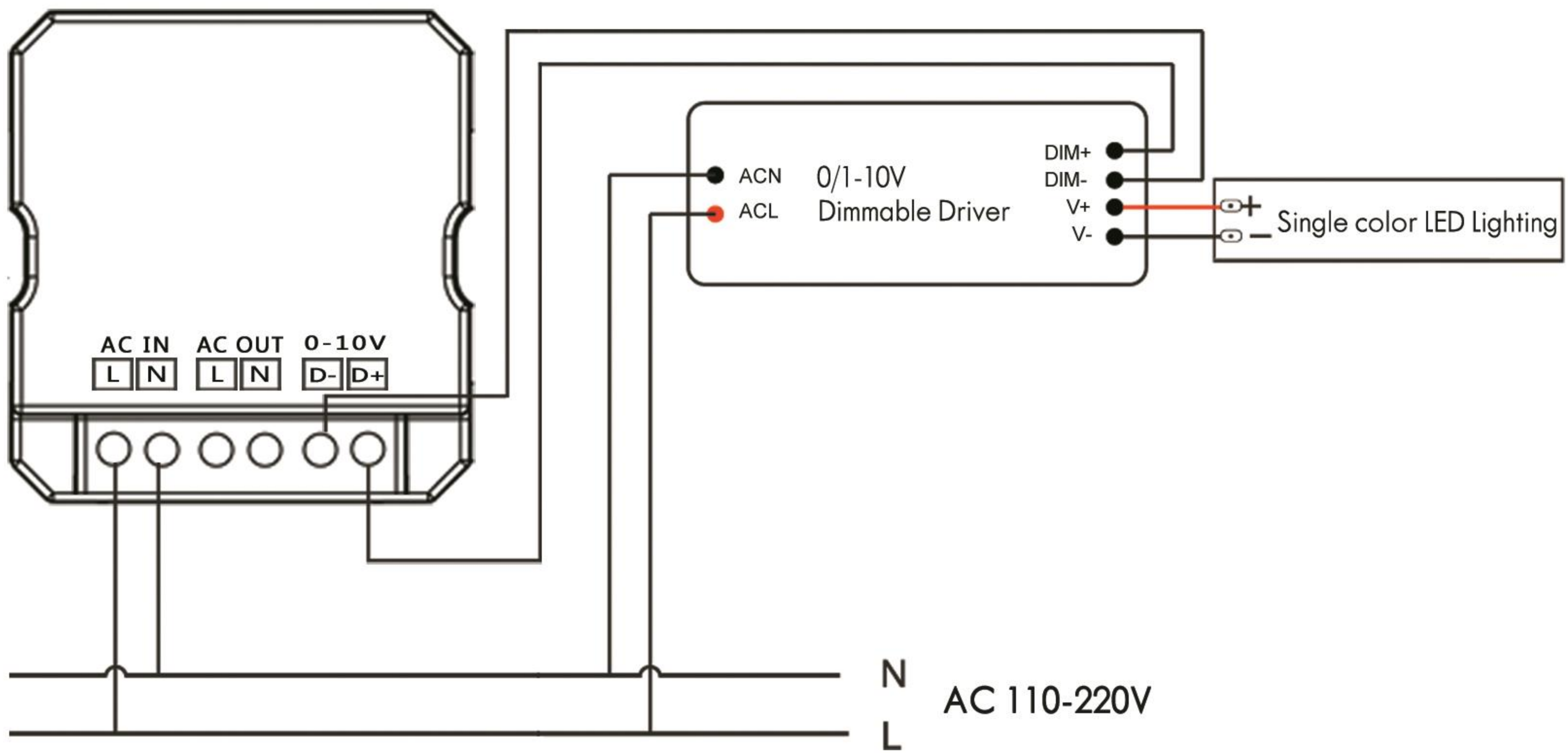
Weight	
Net weight	0.090kg
Gross weight	0.120kg

## Mechanical Structures and Installations

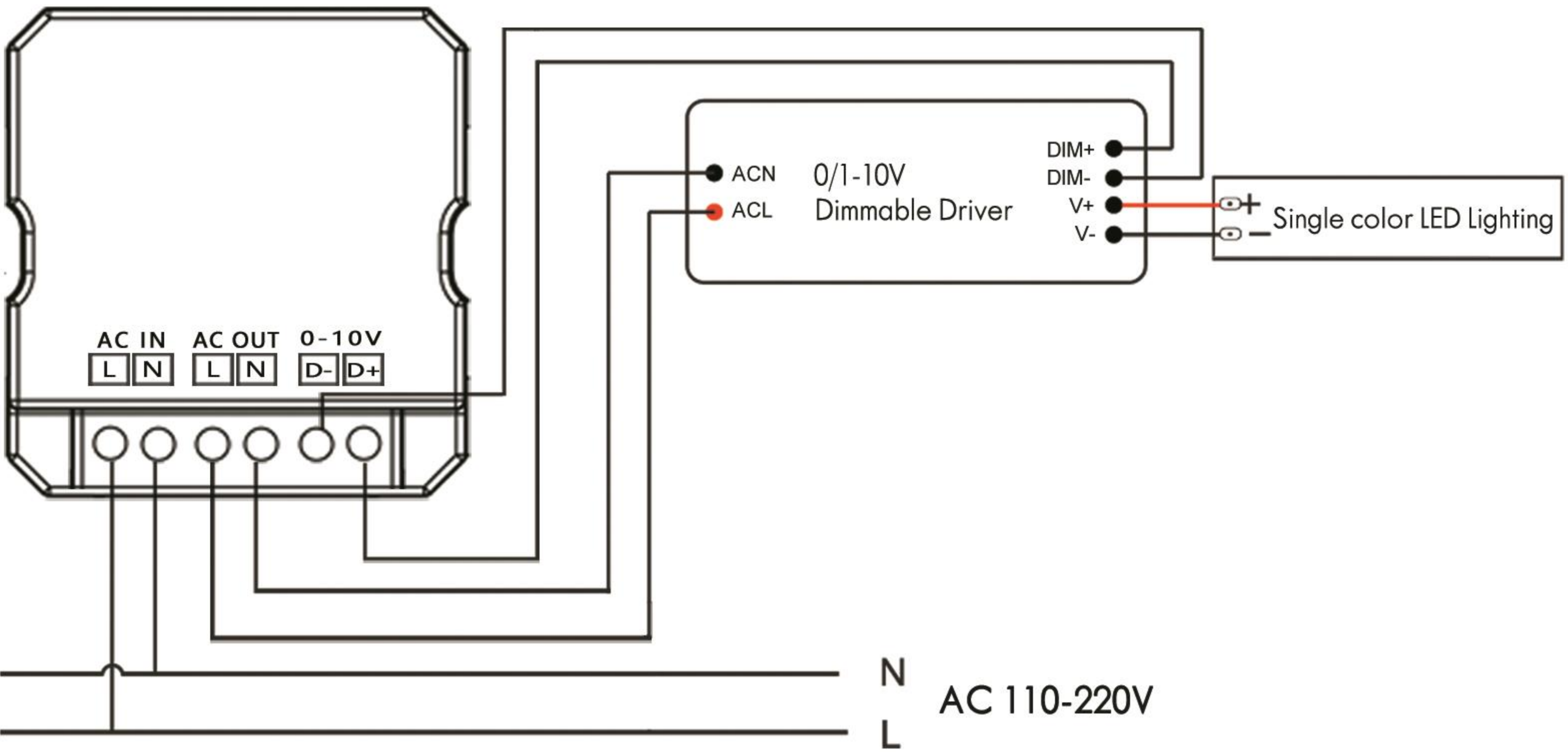


## Wiring diagram

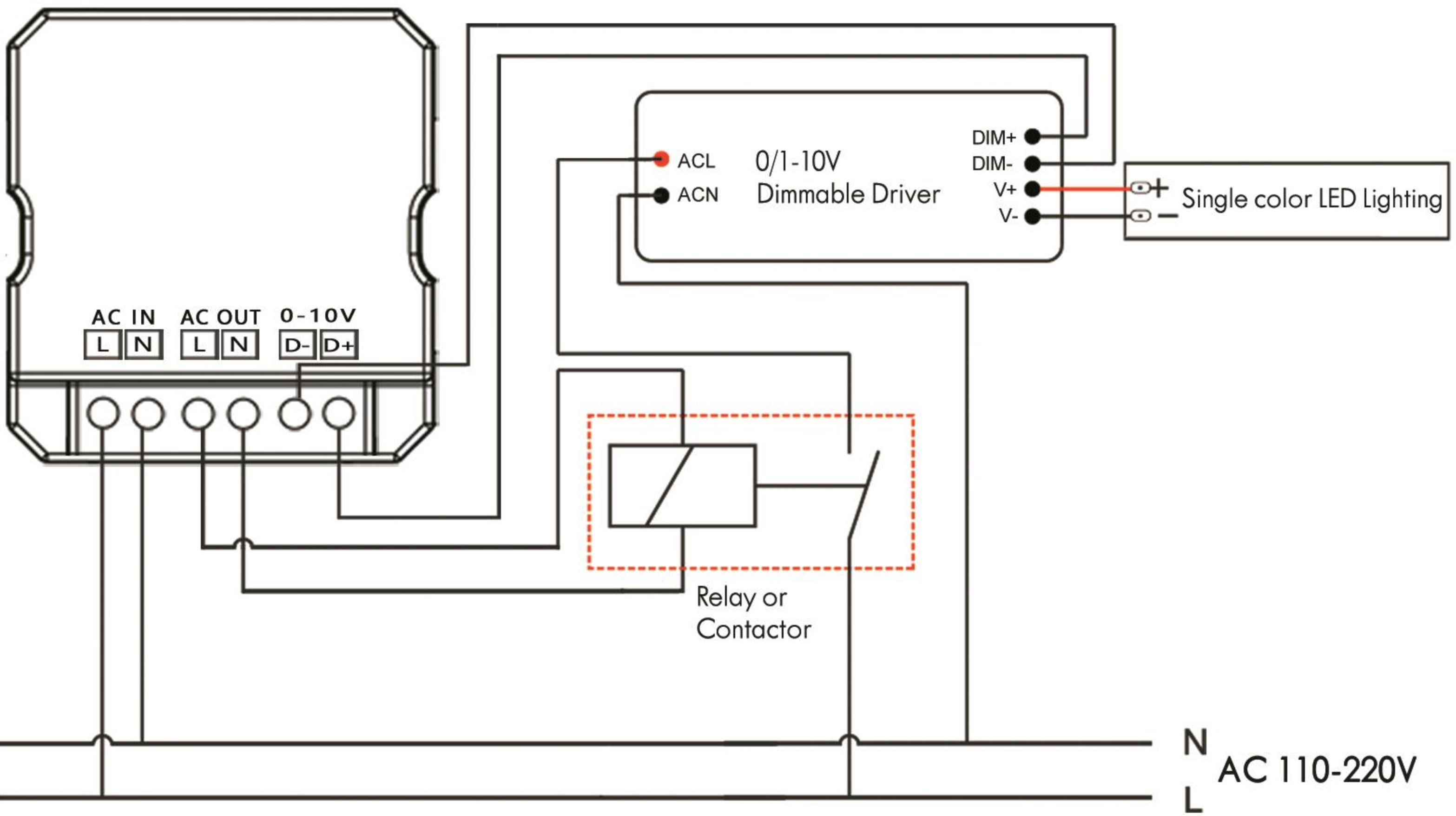
- Connect with 0/1-10V dimming driver (no use AC OUT)



- Connect with 0/1-10V dimming driver (use AC OUT)



- Connect with 0/1-10V dimming driver (use AC OUT and relay or contactor)  
An additional AC relay or contactor is needed when total input current of the load is higher than 3.0A or inrush current is greater than 15A.



**Note:** We recommend the number of LED drivers connected to 0/1-10V dimmer does not exceed 5 pieces, The maximum length of the wires from dimmer to LED driver should be no more than 15 meters.

### Knob function

- Rotate: Turn on light by rotating clockwise  
After turn on light:
- Rotate: Rotate knob clockwise to turn up the brightness, and rotate knob counterclockwise to turn down the brightness.

### Malfunctions analysis & troubleshooting

Malfunctions	Causes	Troubleshooting
No light	1. No power. 2. Wrong connection or insecure.	1. Check the power. 2. Check the connection.